

Features

- Compatible with 12 or 24 V DC Control/Communicators
- Supervises 12 or 24 V DC Class A, Style Z or Class B, Style Y indicating circuits
- Supervised signal silencing switch
- Signaling circuit rated at 3 Amps
- Multiple module configurations
- Mounts in panel enclosure

Description

The D192D is an accessory Indicating Circuit Supervision Module that supervises the wiring to remote signaling devices for open circuit, short circuit, or grounded circuit faults in compliance with UL 864 and NFPA 72.

A silence switch on the D192D disconnects power to the signaling circuit during system tests. With the switch in the OFF (silence) position, the D192D shorts the Control Panel's supervisory zone or point, which the panel reports as a trouble condition.

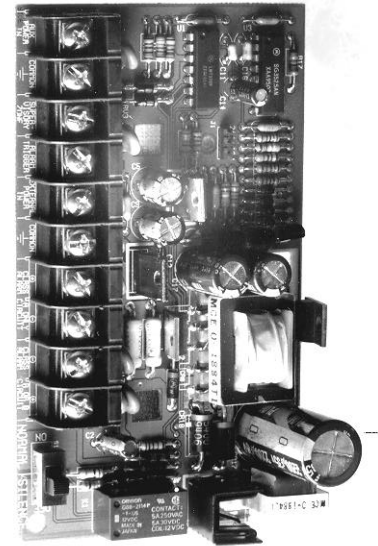
The D192D supervises alarm circuits powered by either a Fire Alarm Control Panel (FACP) or an auxiliary power supply. It allows the use of 12 V or 24 V DC signaling devices, depending on the power supply selected.

Several D192D modules can connect to the same supervisory zone or point of the FACP.

The D192D uses a DC-DC converter to isolate the signaling circuit from earth ground. A Class B two-wire signaling circuit annunciates with a single ground fault. A Class A four-wire signaling circuit annunciates with simultaneous single open and single ground faults.

Alarm signaling devices used with the D192D must:

- be polarized (DC)
- match the power supply voltage rating
- not have a circuit current in excess of 3 Amps per module



Application

The 192D Module provides a supervised connection point between an alarm indicating circuit and the FACP. It supervises the indicating circuit for open, short, and ground condition, any of which the FACP will report as a trouble condition.

In an alarm situation, the FACP signals the D192D to power the indicating circuit, either from the FACP battery or from an auxiliary power supply.

Installation

The D192D mounts inside the FACP enclosure. Depending on the configuration of the panel, it may attach using existing mounting holes or on a mounting bracket.

Install according to the Radionics Installation Instructions. Test and maintain equipment according to the Instruction manual, NFPA 72, Local Codes, and the Authority Having Jurisdiction. Failure to follow these instructions may result in a failure to initiate an alarm condition. Radionics is not responsible for improperly installed, tested, or maintained products.

Specifications

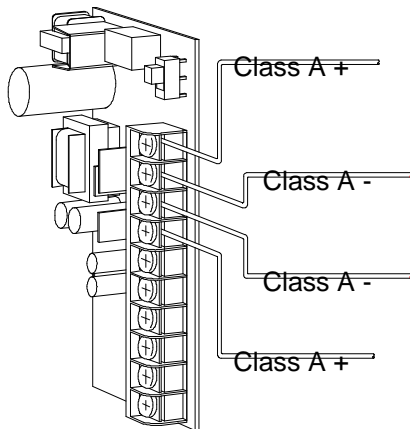
D192D	12 V	24 V
Input Voltage (Auxiliary or External)	10.0 - 14.0 V DC	17.0 - 28.0 V DC
Auxiliary Power Idle Current	1 mA	2 mA
Auxiliary Power Alarm Current	70 mA	70 mA
External Power Input Current	1.25 x Signaling Circuit Current	1.25 x Signaling Circuit Current
Signaling Circuit Current	0.1 A Minimum 3.0 A Maximum	0.1 A Minimum 3.0 A Maximum
Compatible External Power Supplies	Alarm-SAF AS-PS5-BFS-12-UL	Radionics D9142F Alarm-SAF AS-PS5-BFS-24-UL

Dimensions

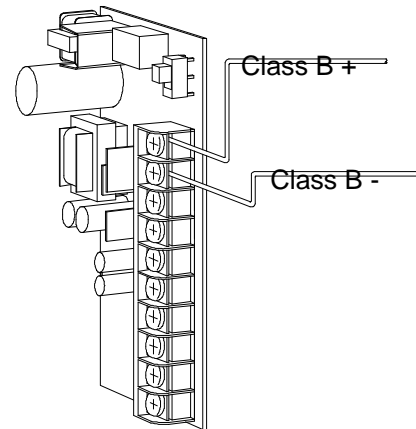
Width	3"
Height	5"
Depth	2"

Ordering Information

Model	Description
D192D	Indicating Circuit Supervision Module



Class A Circuit Connections



Class B Circuit Connections

The Class B Circuit must have a 33k Ω End of Line resistor installed in the circuit after the last signaling device..